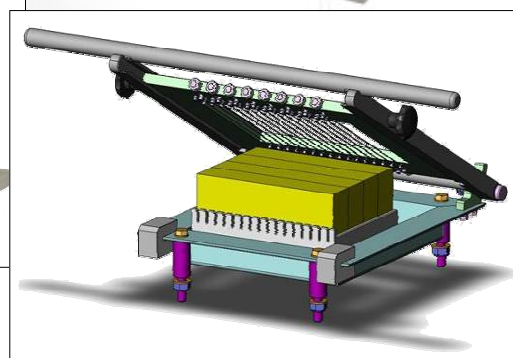


CSL 500 MANUAL CUTTERS

Quick release food contact components for easy cleaning

Manually operated Cutters for Specialty Products

- Cutters for Airline Portions, Rounds, Triangles
- White cheeses - Hard cheeses
- Custom Cutting Solutions for Specialty and Small Volume Products
- Available with interchangeable or fixed cutting frames
- Food Service Cutters for 2kg and 5kg logs
- Bench top mounting or free standing
- 10 to 20kg block resizing



CSL

HAMILTON, NEW ZEALAND
WWW.CHEESESYSTEMS.COM

